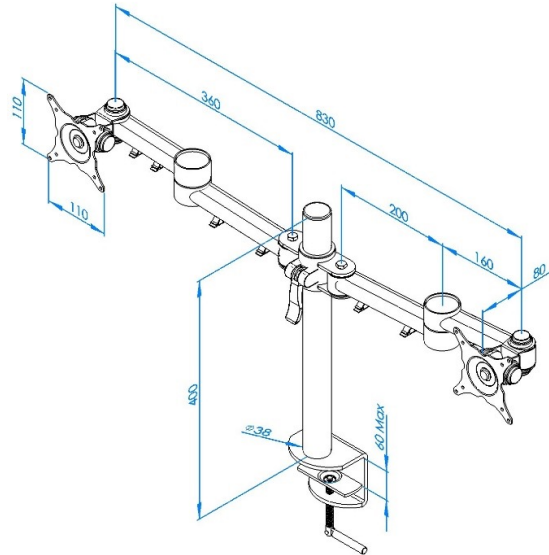


# Stream dual beam 2 screen – clamp fixing



## Product Specification

Product code	STREAMCOMB06W - White
Weight capacity	20kg per arm
Max screen size	30"
Max forward extension	440mm, 860mm apart
VESA	75mm & 100mm VESA compliant
Movement	Height adjustment, tilt, swivel, rotation and reach
Height adjustment	Max height adjustment 300mm
Tilt	85 degrees up / 85 degrees down (170 degrees total)

## Additional Information

Dual beam manual height adjustable arms with standard clamp

Cable management

Colour options available:

Silver - STREAMCOMB06 - RAL code 9006

White - STREAMCOMB06W - RAL code 9010

Black - STREAMCOMB06B - RAL code 9005

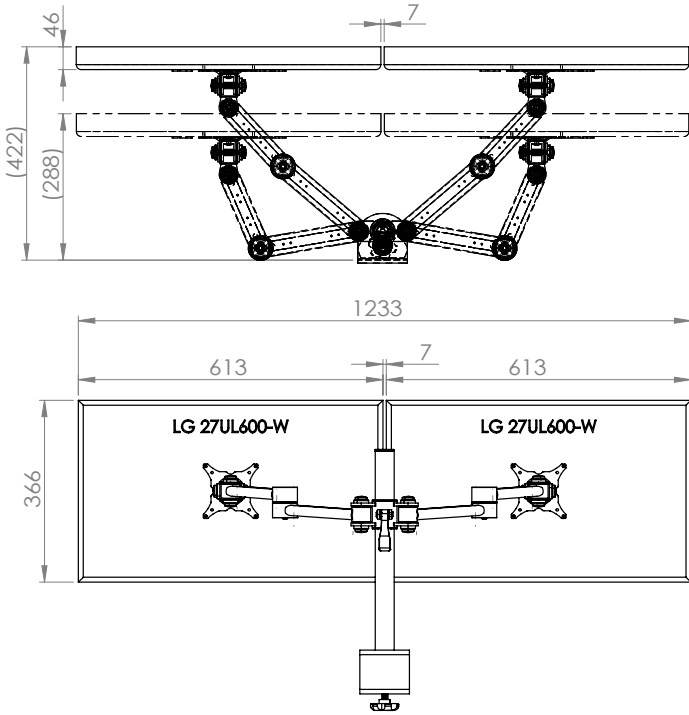


**Ergo**  
01235 773373  
www.ergold.co.uk  
sales@ergold.co.uk

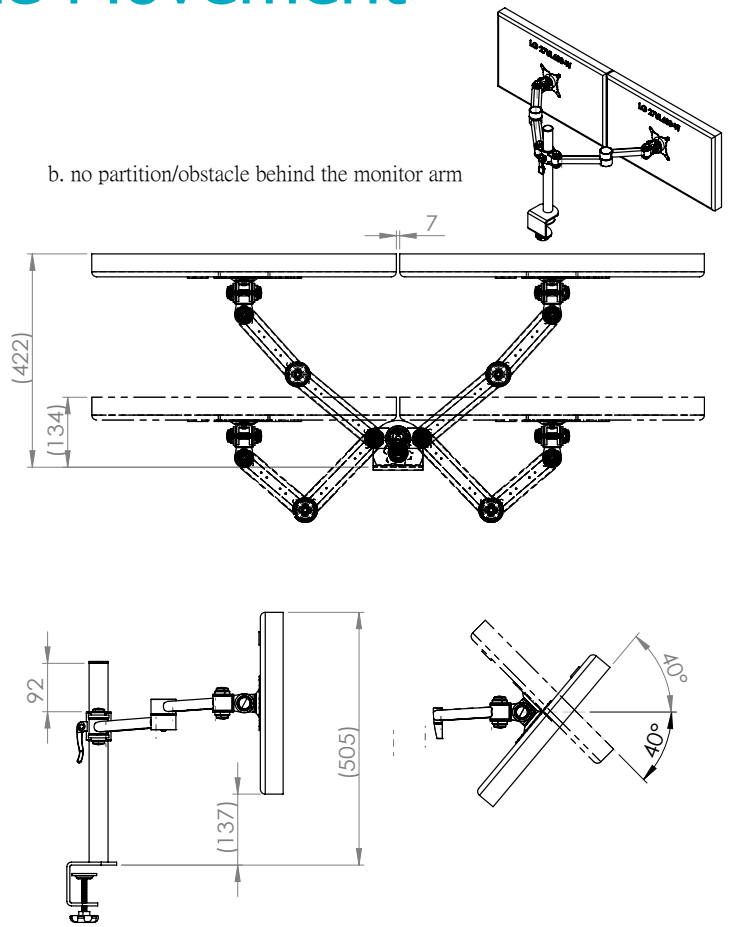
# Monitor Size Movement

## 27" Screen

a. Having a partition/obstacle behind the monitor arm

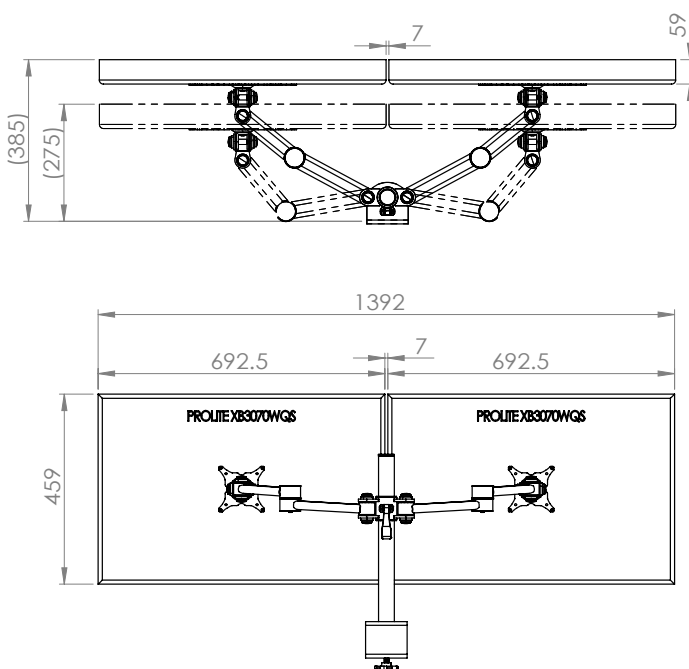


b. no partition/obstacle behind the monitor arm



## 30" Screen

a. Having a partition/obstacle behind the monitor arm



b. no partition/obstacle behind the monitor arm

